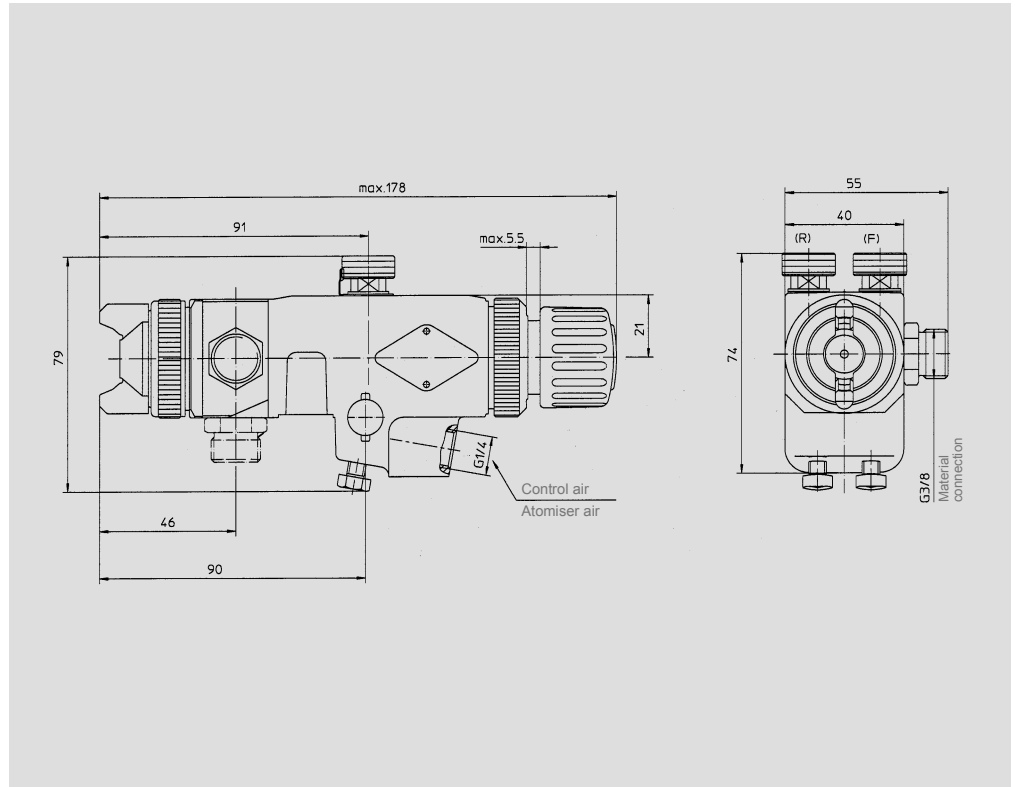


**Automatic spray gun
A 14 HV3**

The high-performance automatic spray gun A 14 essentially consists of two parts: the air control section and the fluid head section. The basic design of the gun is the same as that of the A 10 model; the main difference is that the A 14 is equipped with the HVLP (High Volume Low Pressure) nozzle system which ensures low-mist spraying operations under certain conditions. This is an additional further development of the A 12 HV1 spray gun designed to optimise spraying results.

The head section can be removed from the control section by unscrewing just one screw. The control system is activated by a 3/2-way valve. When switching on, the compressed air-driven control piston first opens the spray air valve and then – a short time later – the material nozzle of the gun. During switch-off, the material nozzle is closed, and then the spray air valve. This control procedure ensures faster working and prevents material nozzle drip.

The practical design of the A 14 makes it extremely repair-friendly and facilitates low maintenance and cleaning. The compact design and the low weight permit use of the A 14 under even the most unfavourable mounting conditions (e.g. in spraying machines and spraying robots).



There are various options for material feed. Guns are available with a range of material connection hose nozzles as well as circulation connections. There is also a wide selection of nozzles and needles of different sizes. The spray gun can of course also be used in combination with our material feed containers, diaphragm pumps and regulators.

Technical data

Operating pressures / Operating temperature
 Max. material pressure: 1.2 MPa (12 bar)
 Max. material temperature: 100 °C
 Max. atomiser air pressure: 0.8 MPa (8 bar)
 Min. control air pressure: 0.4 MPa (4 bar)
 Max. control air pressure: 0.8 MPa (8 bar)
 Max. air temperature: 50 °C

Connections
 Material (M): G3/8 AG
 Atomiser air (Z): G1/4 IG
 recommended smallest clearance: 8 mm
 with max. 4 metre line length
 Control air (St) G1/4 IG
 recommended smallest clearance: 4 mm
 with max. 4 metre line length

Weight
 Al version: 750 g
 Stainless steel version: 960 g

Noise emission
 Contin. sound pressure level, nozzle-dependent: 73 to 96 dB (A)



Head section	Aluminium, anodised		Stainless steel								
with single connection	x		+								
with bottom connection	+		+								
with circulation connection	+		+								
Air nozzle / brass, nickel-plated / mm	0.3	0.5	0.8	1.0	1.2	1.5	1.8	2.0	2.2	2.5	3.0
Flat / Circular "F"	-	-	-	-	-	-	x	x	x	x	x
Flat / Circular "F2"	-	-	-	-	-	-	x	x	x	x	-
Air nozzle / brass, PTFE-coated / mm	0.3	0.5	0.8	1.0	1.2	1.5	1.8	2.0	2.2	2.5	3.0
Flat / Circular "F"	-	-	-	-	-	-	+	+	+	+	+
Flat / Circular "F2"	-	-	-	-	-	-	+	+	+	+	-
	SIZE I					SIZE II					
Air nozzle / Brass, nickel-plated / mm	0.3 to 1.0					1.2 to 2.0					
Flat / Circular HV3 "A" (Standard)	x					x					
Flat / Circular HV3 "G"	x					x					
Flat / Circular HV3 "H"	x					-					
	SIZE I					SIZE II					
Air nozzle / Brass, PTFE / mm	0.3 to 1.0					1.2 to 2.0					
Flat / Circular HV3 "A"	x					x					
Flat / Circular HV3 "G"	x					x					
Flat / Circular HV3 "H"	x					-					
Material nozzle / HVLP / Aluminium, hard-coated / mm	0.3	0.5	0.8	1.0	1.2	1.5	1.8	2.0	2.2	2.5	
Flat / Circular HV2	-	x	-	-	-	-	-	-	-	-	
Material nozzle / HVLP / stainless steel / mm	0.3	0.5	0.8	1.0	1.2	1.5	1.8	2.0	2.2	2.5	
Flat / Circular HV2	x	x	x	x	x	x	x	-	-	-	
Flat / Circular HV3 (Standard)	x	x	x	x	x	x	x	x	x	x	
Material nozzle / HVLP / stainless steel / hardened / mm	0.3	0.5	0.8	1.0	1.2	1.5	1.8	2.0	2.2	2.5	
Flat / Circular HV3	+	+	+	+	+	+	+	+	x	+	
Material nozzle / HVLP / tungsten carbide / mm	0.3	0.5	0.8	1.0	1.2	1.5	1.8	2.0	2.2	2.5	
Flat / Circular HV3	-	-	-	-	+	+	+	+	-	+	
Material needle / mm	0.3	0.5	0.8	1.0	1.2	1.5	1.8	2.0	2.2	2.5	
Stainless steel (Standard)	x	x	x	x	x	x	x	x	x	x	
Stainless steel / hardened	+	+	+	+	+	+	+	+	+	+	
Stainless steel / hard chrome-plated	+	+	+	+	+	+	+	+	+	+	
Tungsten carbide	-	-	-	-	+	+	+	+	+	+	
Plastic	+	+	+	+	+	+	+	+	+	+	
Stainless steel / protruding needle	-	+	+	+	+	+	+	+	-	+	
Aluminium / hard-coated	+	+	+	+	+	+	+	+	+	+	
Material connections											
Hose nozzle	Brass		Brass, nickel-pl.		Stainless steel			Plastic			
DN 6/7	+		+		-			-			
DN 8/9	+		+		+			+			
DN 10/11	+		-		+			-			
DN 12/13	+		-		-			-			
Circulation			Brass, nickel-pl.		Stainless steel			Aluminium			
G 3/8" IG			+		+			+			
Connection tap	Brass										
G 3/8" IG	+										
x no surcharge + surcharge - not available											

