

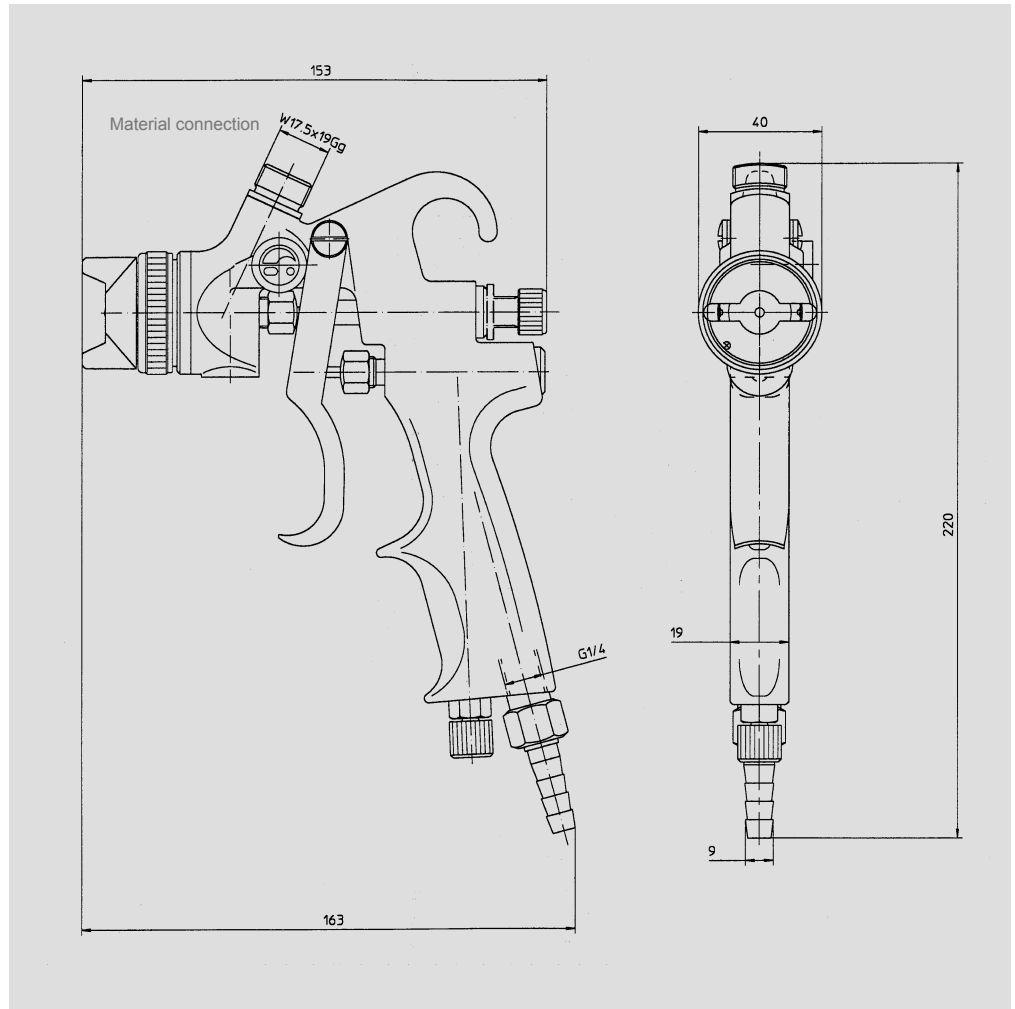
**Perfekt 4  
Gravity feed**

The modern standard spray gun Perfekt 4 is suitable for a wide range of applications. The spray gun is equipped with a fine-tune air regulator as standard to allow precision metering of the air volume. The built-in jet regulating valve allows continuous adjustment from an extremely fine circular jet to a full flat jet, and this means that the jet width can be adjusted to suit different workpieces during the spraying process. The handy, lightweight design ensures fatigue-free operation. The main element is made of a corrosion-resistant light metal alloy and has a polished surface to facilitate the removal of material remains. The material nozzles and needles are made of stainless steel as standard but are also available in tungsten carbide, plastic etc. for special applications.

There are several options for material feed. Guns are available with material connection hose nozzles or with a range of gravity cups. There is also a wide selection of nozzles and needles of various sizes. The spray gun can naturally also be used in combination with our material feed containers, diaphragm pumps and regulators.

**Parts in contact with the coating substance**

The parts of the spray gun that come into contact with the coating material are made of aluminium (main element) and stainless



steel (material needle and nozzle) as well as brass and plastic (gaskets); the gravity cups are made of aluminium, copper or plastic.

**Special accessories**

Nozzle extensions: these are particularly suitable for use when coating cavities (e.g. pipes, canisters, tins or other containers). In many cases, the length and shape of the nozzle extension can be adapted to suit special customer requirements. Ready-made nozzle extensions are also available.

**Technical data**

**Operating pressures / Operating temperature**

Max. material pressure: ..... 0.6 MPa (6 bar)  
 Max. material temperature (8 hrs contin. duty): ..... 43 °C  
 Max. atomiser air pressure: ..... 1.2 MPa (12 bar)  
 Max. air temperature: ..... 43 °C

**Connections**

Flow connection: ..... W 17.5 x 19 AG  
 Atomiser air: ..... hose NW 8/9 mm or G1/4 AG

**Weight**

without material cup ..... approx. 590 g

**Noise emission**

Contin. sound pressure level, nozzle-dependent: .... 73 to 96 dB (A)



	Stainless steel		Standard*												
Pistol body / Parts in contact with coating substance	+		x												
<b>Air nozzle / brass, chemically nickel-plated / mm</b>	<b>0.3</b>	<b>0.5</b>	<b>0.8</b>	<b>1.0</b>	<b>1.2</b>	<b>1.5</b>	<b>1.8</b>	<b>2.0</b>	<b>2.2</b>	<b>2.5</b>	<b>3.0</b>	<b>3.5</b>	<b>4.5</b>	<b>6.0</b>	
Rotary jet "D"	-	-	-	-	-	-	+	-	-	-	-	-	-	-	
<b>Air nozzle / brass, nickel-plated / mm</b>	<b>0.3</b>	<b>0.5</b>	<b>0.8</b>	<b>1.0</b>	<b>1.2</b>	<b>1.5</b>	<b>1.8</b>	<b>2.0</b>	<b>2.2</b>	<b>2.5</b>	<b>3.0</b>	<b>3.5</b>	<b>4.5</b>	<b>6.0</b>	
Rotary jet "D"	-	x	x	x	x	x	x	x	-	x	x	x	x	x	
Rotary jet "DK"	-	+	+	+	+	+	+	+	-	+	+	+	+	+	
Rotary jet "DT"	-	-	-	-	-	+	-	-	-	+	-	-	-	-	
Rotary jet "DX"	-	+	+	+	+	+	+	+	-	+	+	+	+	+	
Rotary jet "DZ"			one size for 0.3 mm – 2.5 mm									-	-	-	-
Rotary jet "DZ6"			one size for 0.3 mm – 2.5 mm									-	-	-	-
Rotary jet "DZ8"			one size for 0.3 mm – 2.5 mm									-	-	-	-
Rotary jet "DZ12"			one size for 0.3 mm – 2.5 mm									-	-	-	-
Flat / Circular "C"	-	x	x	x	x	x	x	x	-	x	x	x	x	x	
Flat / Circular "DC"	-	x	x	x	x	x	x	x	-	x	x	x	x	x	
Flat / Circular "DE"	-	x	x	x	x	x	x	x	-	x	x	x	-	-	
Flat / Circular "E" (Standard)	x	x	x	x	x	x	x	x	-	x	x	x	-	-	
Flat / Circular "F"	+	+	+	+	+	+	+	+	+	+	+	+	-	-	
Flat / Circular "F1"	-	-	+	+	+	+	+	+	+	+	+	-	-	-	
Flat / Circular "F2"	-	+	+	+	+	+	+	+	+	+	-	-	-	-	
Flat / Circular "F4"	-	+	+	+	+	+	+	+	-	-	-	-	-	-	
Flat / Circular "F6"	-	+	+	+	+	+	+	+	+	+	-	-	-	-	
Flat / Circular "G"	-	-	-	+	+	+	+	+	-	+	-	+	-	-	
Flat / Circular "G1"	-	-	+	+	+	-	+	-	-	-	-	-	-	-	
Flat / Circular "GG"	-	-	-	-	-	+	+	+	+	+	+	-	-	-	
Flat / Circular "GG2"	-	-	-	-	-	+	+	+	-	-	-	-	-	-	
Circular "R"	x	x	x	x	x	x	x	x	-	x	x	x	x	x	
Mottle "SP"	-	-	-	-	-	+	-	-	-	+	-	-	-	-	
<b>Air nozzle / MS / PTFE-coated / mm</b>	<b>0.3</b>	<b>0.5</b>	<b>0.8</b>	<b>1.0</b>	<b>1.2</b>	<b>1.5</b>	<b>1.8</b>	<b>2.0</b>	<b>2.2</b>	<b>2.5</b>	<b>3.0</b>	<b>3.5</b>	<b>4.5</b>	<b>6.0</b>	
Flat / Circular "C"	-	+	+	+	+	+	+	+	-	+	+	+	+	+	
Flat / Circular "DC"	-	+	+	+	+	+	+	+	-	+	+	+	+	+	
Flat / Circular "DE"	-	x	+	+	+	+	+	+	-	+	+	+	-	-	
Flat / Circular "E"	+	+	+	+	+	+	+	+	-	+	+	+	+	+	
Flat / Circular "F"	+	+	+	+	+	+	+	+	+	+	+	-	-	-	
Flat / Circular "F1"	-	-	+	+	+	+	+	+	+	+	+	-	-	-	
Flat / Circular "F2"	-	+	+	+	+	+	+	+	+	+	-	-	-	-	
Flat / Circular "F4"	-	+	+	+	+	+	+	+	-	-	-	-	-	-	
Flat / Circular "F6"	-	+	+	+	+	+	+	+	+	+	-	-	-	-	
<b>Air nozzle / POM / mm</b>	<b>0.3</b>	<b>0.5</b>	<b>0.8</b>	<b>1.0</b>	<b>1.2</b>	<b>1.5</b>	<b>1.8</b>	<b>2.0</b>	<b>2.2</b>	<b>2.5</b>	<b>3.0</b>	<b>3.5</b>	<b>4.5</b>	<b>6.0</b>	
Flat / Circular "C"	+	+	+	+	+	+	+	-	-	-	-	-	-	-	
Flat / Circular "E"	-	-	-	-	+	+	-	-	-	+	-	-	-	-	
Flat / Circular "F"	+	+	+	+	+	+	+	-	-	-	-	-	-	-	
<b>Air nozzle / Aluminium / Hard-coated / mm</b>	<b>0.3</b>	<b>0.5</b>	<b>0.8</b>	<b>1.0</b>	<b>1.2</b>	<b>1.5</b>	<b>1.8</b>	<b>2.0</b>	<b>2.2</b>	<b>2.5</b>	<b>3.0</b>	<b>3.5</b>	<b>4.5</b>	<b>6.0</b>	
Flat / Circular "C"	-	+	+	+	-	-	-	-	-	-	-	-	-	-	
Flat / Circular "F"	+	+	+	+	-	-	+	+	-	+	+	-	-	-	

x no surcharge + surcharge - not available

\* Aluminium / Brass / Plastic parts



Material nozzle / Stainless steel / mm	0.3	0.5	0.8	1.0	1.2	1.5	1.8	2.0	2.2	2.5	3.0	3.5	4.5	6.0
Rotary jet "D"	-	x	x	x	x	x	x	x	-	x	x	x	x	x
Rotary jet "DT"	-	-	-	-	-	+	-	-	-	+	-	-	-	-
Flat / Circular "FF"	+	+	+	+	+	+	+	+	+	+	+	+	+	+
Flat / Circular "FL" (Standard)	x	x	x	x	x	x	x	x	x	x	x	x	x	x
Round „R"	x	x	x	x	x	x	x	x	-	x	x	x	x	x
Mottle "SP"	-	-	-	-	-	+	-	-	-	+	-	-	-	-
Full-cone rotary jet "DZ"	+	+	+	+	+	+	+	+	-	+	-	-	-	-
<b>Material nozzle / Stainless steel, hardened / mm</b>	<b>0.3</b>	<b>0.5</b>	<b>0.8</b>	<b>1.0</b>	<b>1.2</b>	<b>1.5</b>	<b>1.8</b>	<b>2.0</b>	<b>2.2</b>	<b>2.5</b>	<b>3.0</b>	<b>3.5</b>	<b>4.5</b>	<b>6.0</b>
Rotary jet "D"	-	+	+	+	+	+	+	+	-	+	+	+	+	+
Flat / Circular "FF"	-	-	-	-	-	-	+	-	-	+	-	-	-	-
Flat / Circular "FL"	+	+	+	+	+	+	+	+	-	+	+	+	+	+
Round „R"	+	+	+	+	+	+	+	+	-	+	+	+	+	+
<b>Material nozzle / POM / mm</b>	<b>0.3</b>	<b>0.5</b>	<b>0.8</b>	<b>1.0</b>	<b>1.2</b>	<b>1.5</b>	<b>1.8</b>	<b>2.0</b>	<b>2.2</b>	<b>2.5</b>	<b>3.0</b>	<b>3.5</b>	<b>4.5</b>	<b>6.0</b>
Flat / Circular "FL"	-	+	+	+	+	+	+	+	-	-	-	-	-	-
<b>Material nozzle / Aluminium / Hard coated / mm</b>	<b>0.3</b>	<b>0.5</b>	<b>0.8</b>	<b>1.0</b>	<b>1.2</b>	<b>1.5</b>	<b>1.8</b>	<b>2.0</b>	<b>2.2</b>	<b>2.5</b>	<b>3.0</b>	<b>3.5</b>	<b>4.5</b>	<b>6.0</b>
Flat / Circular "FL"	+	+	+	+	+	+	-	-	-	-	-	-	-	-
<b>Material nozzle / Tungsten carbide / mm</b>	<b>0.3</b>	<b>0.5</b>	<b>0.8</b>	<b>1.0</b>	<b>1.2</b>	<b>1.5</b>	<b>1.8</b>	<b>2.0</b>	<b>2.2</b>	<b>2.5</b>	<b>3.0</b>	<b>3.5</b>	<b>4.5</b>	<b>6.0</b>
Flat / Circular "FL"	-	-	-	-	+	+	+	+	+	+	-	-	-	-
<b>Material needle / mm</b>	<b>0.3</b>	<b>0.5</b>	<b>0.8</b>	<b>1.0</b>	<b>1.2</b>	<b>1.5</b>	<b>1.8</b>	<b>2.0</b>	<b>2.2</b>	<b>2.5</b>	<b>3.0</b>	<b>3.5</b>	<b>4.5</b>	<b>6.0</b>
Stainless steel (Standard)	x	x	x	x	x	x	x	x	x	x	-	-	-	-
Stainless steel / Protruding needle	+	+	+	+	+	+	+	+	-	+	-	-	-	-
Stainless steel / Hardened	+	+	+	+	+	+	+	+	+	+	-	-	-	-
Stainless steel / Hardened / Protruding needle	-	+	+	+	+	+	+	+	-	+	-	-	-	-
Hard chrome-plated	+	+	+	+	+	+	+	+	+	+	-	-	-	-
Hard chrome-plated with protruding needle	-	+	+	+	+	+	+	+	-	+	-	-	-	-
Tungsten carbide	-	-	-	-	+	+	+	+	+	+	-	-	-	-
Stainless steel / Reinforced head section	-	-	-	-	-	-	-	-	-	-	x	x	x	x
Stainless steel / Reinforced head section / Hardened	-	-	-	-	-	-	-	-	-	-	+	+	+	+

x no surcharge + surcharge - not available

Subject to change



<b>Material connection / Cup</b>	Plastic	Aluminium	Copper, nickel-pl.	
170 ml	-	+	-	
250 ml	-	+	+	
500 ml	+	+	+	
750 ml	-	+	-	
1000 ml	-	+	-	
<b>Material connection / Hose nozzle</b>	Brass	Brass, nickel-pl.	Stainless steel	Plastic
DN 6/7	+	+	-	-
DN 8/9	+	+	+	+
DN 10/11	+	-	+	-
<b>Material connection / Bend with union nut</b>	W 17,5 x 19 Gg IG			
Bend W 17.5 x 19 Gg AG	+			
<b>Material connection / Fast screw connection</b>	Brass	Brass, nickel-pl.	Stainless steel	
PK 6	-	+	-	
<b>Air connection / Hose nozzle</b>	Brass	Brass, nickel-pl.	Stainless steel	
DN 4	+	-	-	
DN 6/7	+	+	+	
DN 8/9	x	+	+	
DN 10	+	+	-	
<b>Air connection / Swivel action</b>	DN 6/7	DN 8/9	G 1/4" AG	
G 1/4" AG	+	+	+	
<b>Air connection / Rapid-fix coupling</b>	DN 6/7	DN 8/9	G 1/4" IG	
G 1/4" IG	+	+	+	
<b>Air connection / Air control valve with union nut G 1/4" IG</b>	with pressure gauge			
Air control valve G 1/4" AG	+			
<b>Air connection / Fast screw connection G 1/4" IG</b>	Brass	Aluminium	PA	
PK 4	+	+	-	
PK 6	+	+	+	
PK 8	-	-	+	
<b>Air connection / Reducing nipple G 1/4" IG</b>	Brass			
G 1/8" AG	+			
x no surcharge + surcharge - not available				