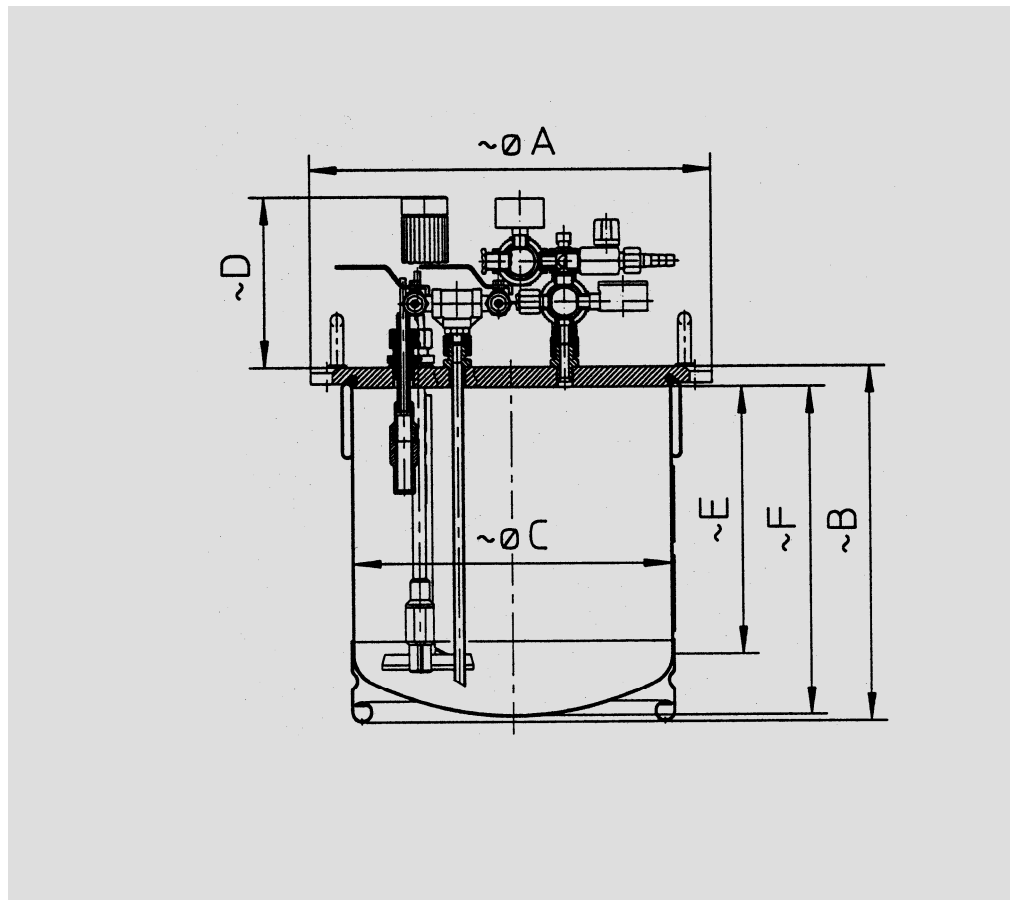


Material pressure feeding containers 20 litres, stainless steel

Krautzberger material pressure feeding containers are ideal for use wherever large volumes of material are processed continuously. Depending on size and type, the containers can also be used to feed more than one spray gun. The wide selection of containers offers the optimum tank for any kind of operation. Krautzberger material pressure feeding containers are available with capacities from 1 litre to 100 litres; special sizes available on request.

In terms of material and design, the Krautzberger range of material pressure feeding containers meets the highest standards of trade and industry. The standard stainless steel design and a wide range of extension options permit their use in many areas of application. The fast-clamp closures ensure fast and safe opening of containers. Compressed air and electric stirring tools can be mounted on the container cover, as can various air and material exits or filling level monitoring systems.



Technical data

Max. operating pressure:	6 bar
Max. operating temperature:	50 °C
Air connection, internal hose:	dia. 8/9
Material connection, internal hose:	dia.10/11
Material connection, two-fold:	dia. 8/9
Weight, depending on equipment:	17-25 kg